

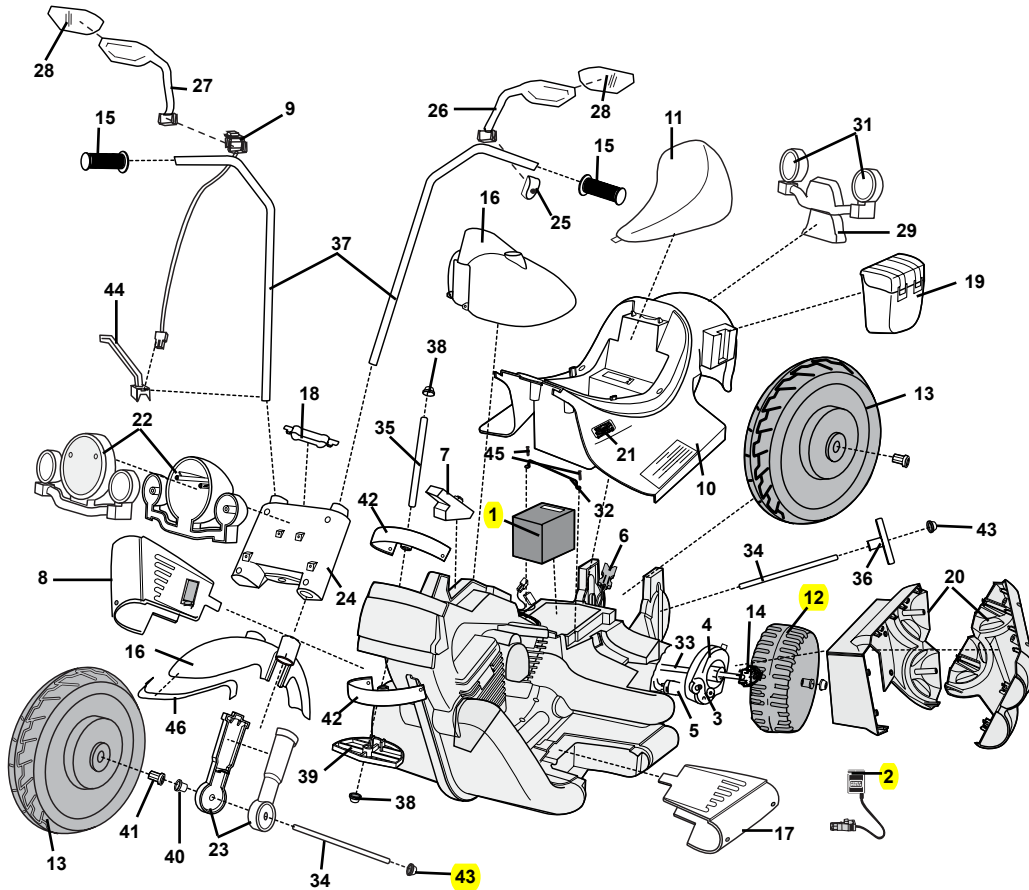
For 73218-9993 Harley Davidson Motorcycles made after 6/10/02



73218-9993 Harley

Advanced Series 12 Volt

Age Range: 3 to 7
 Weight Limit: 65 lbs
 Surfaces: Hard and grass
 Speed: 2.5/5.0
 Forward
 2.5 reverse
 Colors: Black and Grey
 Intro: 2001
 Suggested Retail: \$199.99
 Box Dimensions: 40 x 20 x 25
 Warranty
 One Year Vehicle
 6 Months Battery



Rev. 04/08/04

| Item No. | Description | Part No. | Qty. | Item No. | Description | Part No. | Qty. | Item No. | Description | Part No. | Qty. |
|-----------------------------------|------------------------------|------------|------|-------------------------------|----------------------|------------|------|------------------------|-------------|----------|------|
| Working / Electrical Parts | | | | 24 | Upper fork | 75200-2349 | 1 | Parts Not Shown | | | |
| 1 | Battery | 00801-0638 | 1 | 25 | Mirror Clamp | 75209-2429 | 1 | Large Parts Bag | 73218-9299 | 1 | |
| 2 | Charger | 00801-0972 | 1 | 26 | Mirror Housing Left | 75209-2449 | 1 | Hardware Bag | 73210-9289 | 1 | |
| 3 | Motor Gearbox Assembly | 00968-2901 | 2 | 27 | Mirror Housing Right | 74287-2429 | 1 | Footswitch | 00801-0933 | 1 | |
| 4 | Gearbox W/out Motor | 00968-2801 | 2 | 28 | Mirror Lens | 75209-2469 | 2 | Control Switch | 00801-0873 | 1 | |
| 5 | Motor Pinion Assembly | 74290-9539 | 2 | 29 | Tail Light | 75210-2299 | 2 | Decal Sheet | 73218-0330 | 1 | |
| 6 | Main Harness Assembly | 74287-9799 | 1 | 31 | Tail Light Cover | 75210-2479 | 1 | Manual | 73218-0921 | 1 | |
| 7 | Sound box | 74290-9559 | 1 | Hardware / Metal Parts | | | | PC Board | 74287-9729 | 1 | |
| 8 | Right Footboard with switch | 74370-9239 | 1 | 32 | Battery Retainer | 74290-4419 | 1 | #8 x 1/2" Screw | 0801-0202 | 5 | |
| 9 | Handlebar harness with Cover | 74287-9759 | 1 | 33 | Drive Wheel Axle | 74290-4509 | 1 | | | | |
| Plastic / Other Parts | | | | 34 | Front and rear axle | 74290-4519 | 2 | | | | |
| 10 | Body N/A | 73218-2109 | 1 | 35 | Fork Axle | 74290-4529 | 1 | | | | |
| 11 | Seat | 74290-2309 | 1 | 36 | Axle Bushing | 74370-2379 | 2 | | | | |
| 12 | Wheel, Drive | 74290-2269 | 2 | 37 | Handle Bar Set | 74287-9029 | 1 | | | | |
| 13 | Wheel Large | 74290-2159 | 2 | 38 | .354 Cap Nut | 0801-0604 | 3 | | | | |
| 14 | Driver | 73233-2239 | 2 | 39 | Steering Stop | 74370-2369 | 1 | | | | |
| 15 | Hand grip | 74290-2399 | 2 | 40 | 7/16" Round Bushing | 74550-2689 | 2 | | | | |
| 16 | Fender and Gas Tank Set | 3800-6879 | 1 | 41 | Hex bushing | 73233-2559 | 6 | | | | |
| 17 | Left Footboard | 74370-2249 | 1 | 42 | Steering Bushing | 74370-2359 | 2 | | | | |
| 18 | Fork Clamp/cover | 74370-2389 | 1 | 43 | .437 Cap Nut | 0801-0226 | 6 | | | | |
| 19 | Saddle bag | 74290-2129 | 2 | 44 | Wire Cover | 74287-2439 | 1 | | | | |
| 20 | Exhaust Set | 3800-6698 | 1 | 45 | #8 x 3/4" Screw | 0912-8001 | 61 | | | | |
| 21 | Power Wheels Emblem | 74460-9069 | 2 | 46 | Fender Tip | 75210-2419 | 1 | | | | |
| 22 | Headlight Set N/A | 74370-9289 | 1 | | | | | | | | |
| 23 | Shock Set | 74370-9329 | 1 | | | | | | | | |

N/A = Not Available

† Gas tank and Front Fender are available only as a set.

Bold and Underlined parts are to be purchased and installed by Service Centers only. These items may not be sold directly to consumers by Service Centers or Fisher-Price.