

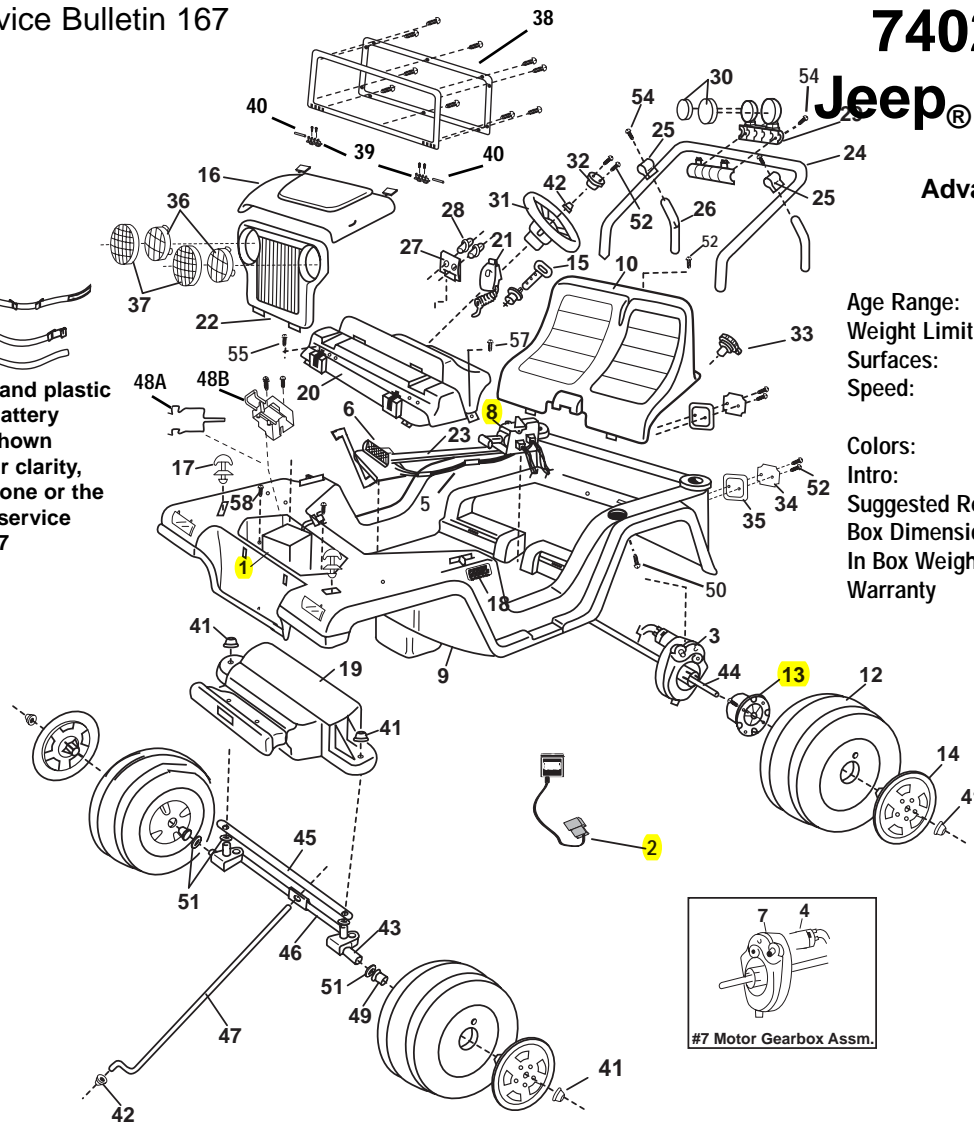
See Service Bulletin 167

74020-9993 Jeep® Wrangler

**Advanced Series
12-VOLT**

Age Range: 3-7 Yrs.
 Weight Limit: 130 Lbs.
 Surfaces: Hard and Grass
 Speed: 2.5 / 5.0 MPH Forward
 2.5 MPH Reverse
 Colors: Red Body
 Intro: 12/3/99
 Suggested Retail: \$189.99
 Box Dimensions: 20" x 50" x 33
 In Box Weight: 68 Lbs.
 Warranty: One Year Vehicle
 6 Months Battery

Metal wire and plastic box style battery retainers shown together for clarity, only order one or the other. See service Bulletin 167



Rev. 02/09/04

Item No.	Description	Part No.	Qty.	Item No.	Description	Part No.	Qty.	Item No.	Description	Part No.	Qty.
Working / Electrical Parts											
1	Battery	00801-0638	1	25	Sport Bar Bracket Set	74020-2179	1	48B	Battery Retainer (Plastic box)	74020-9819	1
2	12V Charger (single battery)	00801-0675	1	26	Sport Bar Support	78490-2229	2	49	Axle Bushing	74550-2689	2
3	Motor Gearbox Assembly	00968-2902	2	27	Knob Bezel	74020-2719	1	50	1/4"x1-1/2" Roll Bar Screws (N/A separately / order hardware bag parts bag)	0801-0467	2
4	Motor Pinion Assembly	74440-9579	2	28	Dash Knob	74460-2199	2	51	7/16" Washer	0801-0196	4
5	Main Harness Assembly	78490-9699	1	29	Light Rack	74340-9349	1	52	#8 x 1" Screw	0801-0224	11
6	Footboard Assembly	78490-9829	1	30	Light Cover	74020-2169	2	54	#6 x 1-1/2" Screw	0801-0469	4
7	#7 Gearbox w/out Motor	00968-2802	2	31	Steering Wheel	74440-2379	1	55	#10 x 1" Screw (in dash)	0801-0220	2
8	Shifter Assembly	78490-9239	1	32	Steering Wheel Button	74550-2729	1	58	1/4" x 1-1/2" Self Tapping Screw	0801-0578	2
Plastic / Other Parts											
9	Body (N/A)	78490-2109	1	33	Gas Cap	74526-2089	1	59	#8 x 1 1/4 Screw	0801-0216	10
10	Seat	78490-2319	1	34	Taillight Lens Set	73233-2279	1	Parts Not Shown			
11	Seatbelt Set	74460-5339	1	35	Taillight Housing Set	74020-2759	1	Large Parts Bag	N/A	74020-9249	1
12	Wheel	74020-2459	4	36	Headlight Lens	74440-2879	2	Small Parts Bag	N/A	74020-9259	1
13	Wheel Driver	74460-2249	2	37	Headlight Lens Guard	74440-2339	2	Literature Bag	N/A	74020-9019	1
14	Hubcap	74020-2579	4	38	Windshield Assembly	74020-9619	1	NEW Literature Bag		74020-9029	1
15	Key/Housing Assembly	78490-9369	1	39	Windshield Bracket	74020-2779	2	Hardware Bag		74020-9059B	1
16	Hood N/A	74020-235A	1	Hardware / Metal Parts							
17	Hood Latch	74020-9559	2	40	Windshield Hinge Pin	0801-0257	2	Owner's Manual		74020-0920	1
18	PW Emblem	74460-9069	2	41	.437 Cap Nut (Black)	0801-0226	6	Main Label Sheet N/A		74020-0310	1
19	Front Module	74020-2119	1	42	.354 Cap Nut (Black)	0801-0604	2	Main Label Sheet Sub Part		75598-0310	1
20	Dash	74020-2789	1	43	Front Axle	74440-4509	2	Holographic Wrangler Label Sheet		74020-0320A	1
21	Mic w/Cord	73233-9479	1	44	Rear Axle (length 29.5")	74440-4519	1	High Speed lock out screw		0801-0254	1
22	Grille	74020-2849	1	45	Cross Bar	74460-4419	1	#10 x 1/2 screw for Battery Retainer		0801-0540	2
23	Channel Cover	74020-2289	1	46	Steering Linkage Assy.	74440-9419A	1	Supplemental Instruction Sheet		74020-0923	1
24	Sport Bar	74450-9219	1	47	Steering Column	78490-4239	1				
				48A	Battery Retainer (Metal Wire)	78490-4029	1				

N/A = Not Available

Bold and Underlined parts are to be purchased and installed by Service Centers only. These items may not be sold directly to consumers by Service Centers or Fisher-Price.